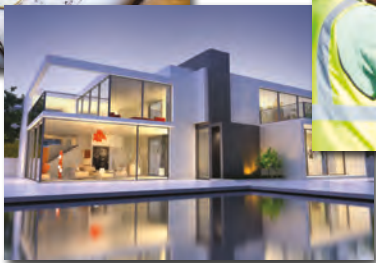
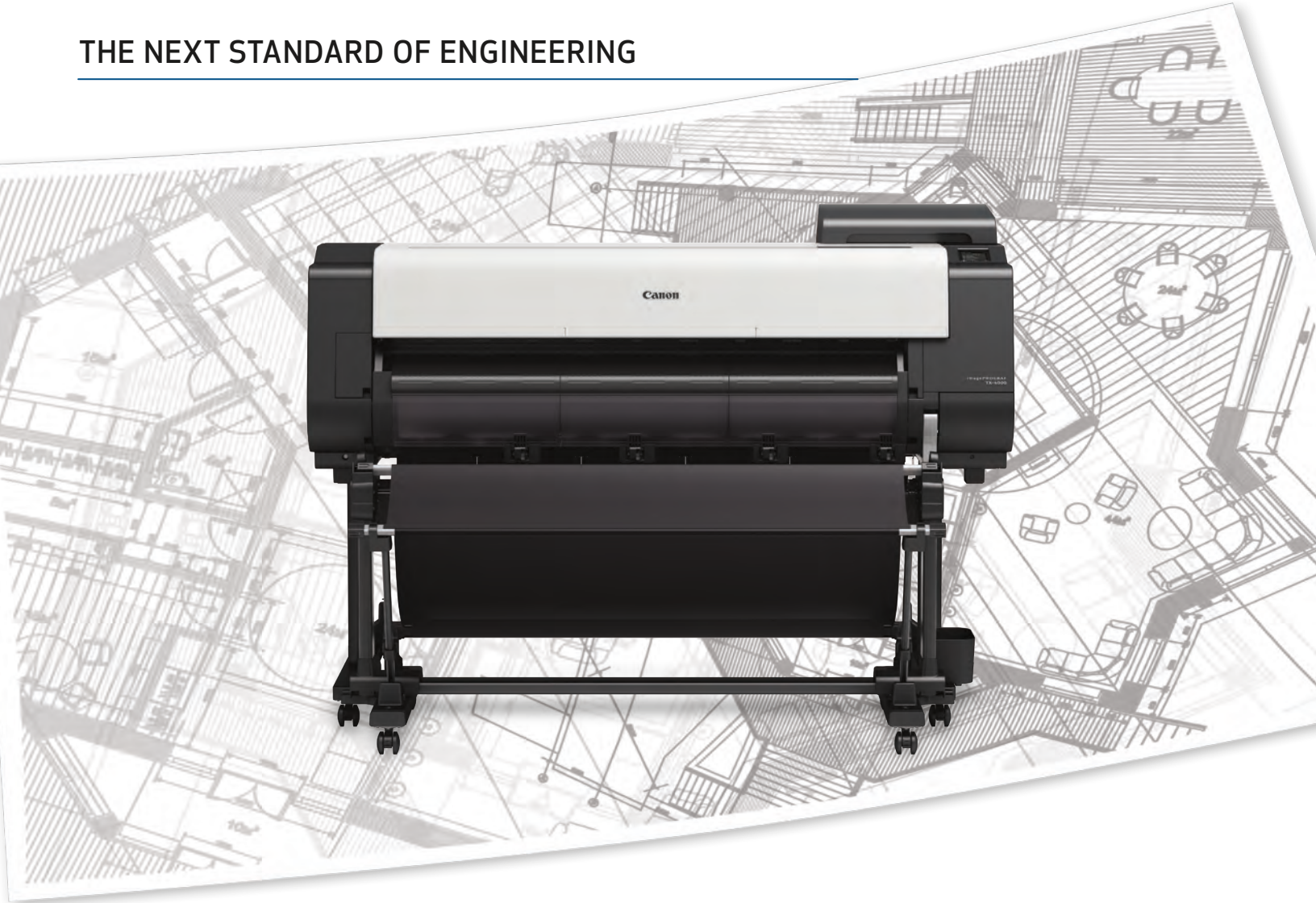


THE NEXT STANDARD OF ENGINEERING



**imagePROGRAF
TX-4000**

imagePROGRAF TX-4000

SPECIFICATIONS

Print Head

PF-06

Technology

FINE (Photolithography Inkjet Nozzle Engineering)

Print Resolution (Max.)

2400 x 1200 dpi

Line Accuracy*

±0.1% or Less

Minimum Line Weight**

0.02 mm

Number of Nozzles

Matte Black: 5,120 Nozzles

Other Colors: 2,560 Nozzles per Color

Droplet Size

5 Picoliter

Nozzle Pitch (Head Resolution)

1200 dpi x Two Rows

Print Head Swath

1.07 inch

Ink Type

Pigment: Matte Black (MBK), Black (BK), Cyan (C), Magenta (M), Yellow (Y)

Ink Tank

Shipped with Printer: PFI-310 (330 ml) MBK, BK, C, M, Y
Replacement: PFI-110 (160 ml), PFI-310 (330 ml), or PFI-710 (700 ml)

Ink Supply Method

Tubing System with Sub-tanks for Continuous Ink Supply

Nozzle Recovery System

Non-firing Nozzle Detection and Compensation

Printer Controller

L-COA PRO

Printer RAM

128 GB (Virtual), 2 GB (Physical)

Hard Drive

500 GB

Mailboxes (User Job Storage)

One Common Inbox; 29 User Inboxes (Password-protected)

Media Feed

Roll Feed: One Roll, Front-loading, Front Output

Media Width

Roll Feed: 8"-44" (203.2 mm - 1117.6 mm)

Cut Sheet: 8"-44" (203.2 mm - 1117.6 mm)

Printable Margins

Roll Feed: All Sides: 0.12" (3 mm) or 0" for Borderless

Maximum Print Length (Single Page)†

Roll Feed: 59' (18 m)

Cut Sheet: 63" (1.6 m)

Borderless Printing Widths (Roll Media Only)

8", 10", 12", 14", 16", 17", 20", 24", 30", 36", 42", 44",
B4 (10.12"/257 mm), A3 (11.69"/297 mm),
A3+ (12.95"/329 mm), A2 (16.54"/420 mm),
B2 (20.28"/515 mm), A1 (23.39"/594 mm),
B1 (28.66"/728 mm), A0 (33.11"/841 mm),
B0 (40.55"/1030 mm)

Media Cutter

Durable Dual-Blade Rotary Cutter

Media Thickness

0.07 - 0.8 mm

Media Core Sizes

2" and 3" Core Adapters Included

Maximum Roll Outer Diameter

6.7" (170 mm)

Media Output

TX Stacker (Standard)

Printing Software Utilities

Accounting Manager, Apple AirPrint,†† Canon Print Service, Device Management Console, Direct Print & Share, Free Layout Tool, imagePROGRAF Printer Driver for Windows®/Mac®, Media Configuration Tool, PosterArtist Lite for Windows, Printer Driver Extra Kit for Windows/Mac (Free Print Utility Layout, Advanced Preview), Optimized Driver for AutoCAD, Print Plug-in for Microsoft® Word/Excel/PowerPoint® for Windows, Quick Utility Toolbox

Operating System

Windows 7 (32/64 bit), Windows 8.1 (32/64 bit), Windows 10 (32/64 bit), Windows Server 2008 R2, (64 bit), Windows Server 2012 (64 bit), Windows Server 2012 R2 (64 bit), Windows Server 2016 (64 bit), Macintosh OS X v10.10.5-v10.12x

Print Language

Printer: SGRaster, HP-GL/2, HP RTL, PDF, JPEG

Interface

Standard (Built-in): USB 2.0 Hi-Speed, 10/100/1000Base-T/TX, Wireless LAN (IEEE 802.11 b/g/n)■

Direct USB Thumb Drive Printing

Acoustic Noise

Operation: 51 dB (A) or Less

Standby: 35 dB (A) or Less

Acoustic Power: 6.9Bels or Less

Power Supply

AC 100-240V (50-60 Hz)

Power Consumption

Maximum: 107W or Less

Standby: 3.6 W or Less

Power Off: 0.3 W or Less (Executive Order Compliant)

Certifications

Electrical Safety Regulations

C TUVus (U.S.A.), C TUVus (Canada)

Electromagnetic Interface Regulations

FCC Part 15B (U.S.A.), IC (Canada)

Radio Regulations

FCC Part 15C (U.S.A.), IC (Canada)

Environmental Certifications

ENERGY STAR® (Worldwide)

Operational Environment

Temperature: 59° - 86° F (15° - 30° C)

Relative Humidity: 10 - 80% (No Condensation)

Printer Dimensions (H x W x D) and Weight

(With Stacker Opened)

46.0" x 62.7" x 46.8" Approx. 277 lb.

Package Dimensions (H x W x D) and Weight

With Stand and Pallet

41.8" x 71.7" x 36.0" Approx. 364 lb.

Stacker

11.5" x 57.6" x 35.7" Approx. 55 lb.

Roll Unit

18.1" x 68.0" x 22.1" Approx. 66 lb.

Options

- Multifunction Roll System (RU-42)
- 2"/3" Roll Holder Set (RH2-45)
- PosterArtist

User-Replaceable Items

- Ink Tank (PFI-110/PFI-310/PFI-710)
- Print Head (PF-06)
- Maintenance Cartridge (MC-30)
- Cutter Blade (CT-07)

What's In The Box

Printer, TX Stacker, Stand, 2"/3" Core Media Spool (Adapters Included), Power Cord, Tools and Screws, Print Head, Maintenance Cartridge (Installed), 5 Ink Tanks (330 ml: MBK/BK/C/M/Y), Sample Heavyweight Coated Paper (A2/5 sheets), Ethernet Card (built-in), USB 2.0 High-speed Interface, USB Connection Sheet, iWR Service Terms Leaflet, User Manual, Quick Setup Guide, User Software CD for Windows (Printer Driver Utilities), PosterArtist Lite CD, User Registration Card

* Line accuracy repeatability is guaranteed after a user performs necessary adjustment and under the same environmental conditions. Applies to media for line drawing (Plain Paper, Coated Paper, CAD Translucent Matte Film, and CAD Tracing Paper) only.

** Theoretical value based on data resolution.

† The maximum printable length varies depending on the application, OS, and RIP used.

†† To be supported in 2018 by updating firmware.

■ Wireless printing requires a working network with wireless 802.11b/g or 802.11n capability. Wireless performance may vary based on terrain and distance between the printer and wireless network clients.



Note: TX-4000 on front page shown with optional Multifunction Roll System.

Canon and imagePROGRAF are registered trademarks of Canon Inc. in the United States and may also be registered trademarks or trademarks in other countries. All other referenced product names and marks are trademarks of their respective owners. All printer output and screen images are simulated. Specifications and availability subject to change without notice. Not responsible for typographical errors.

©2017 Canon U.S.A., Inc. All rights reserved.

1117-TX4000SS-PDF-SP

Canon

CANON SOLUTIONS AMERICA

LARGE FORMAT SOLUTIONS

100 PARK BLVD., ITASCA, IL 60143

1-800-714-4427 | 1-630-250-6550
us.info@csa.canon.com CSA.CANON.COM

LFS-51399 DS 11/27/17 CCI/PDF

